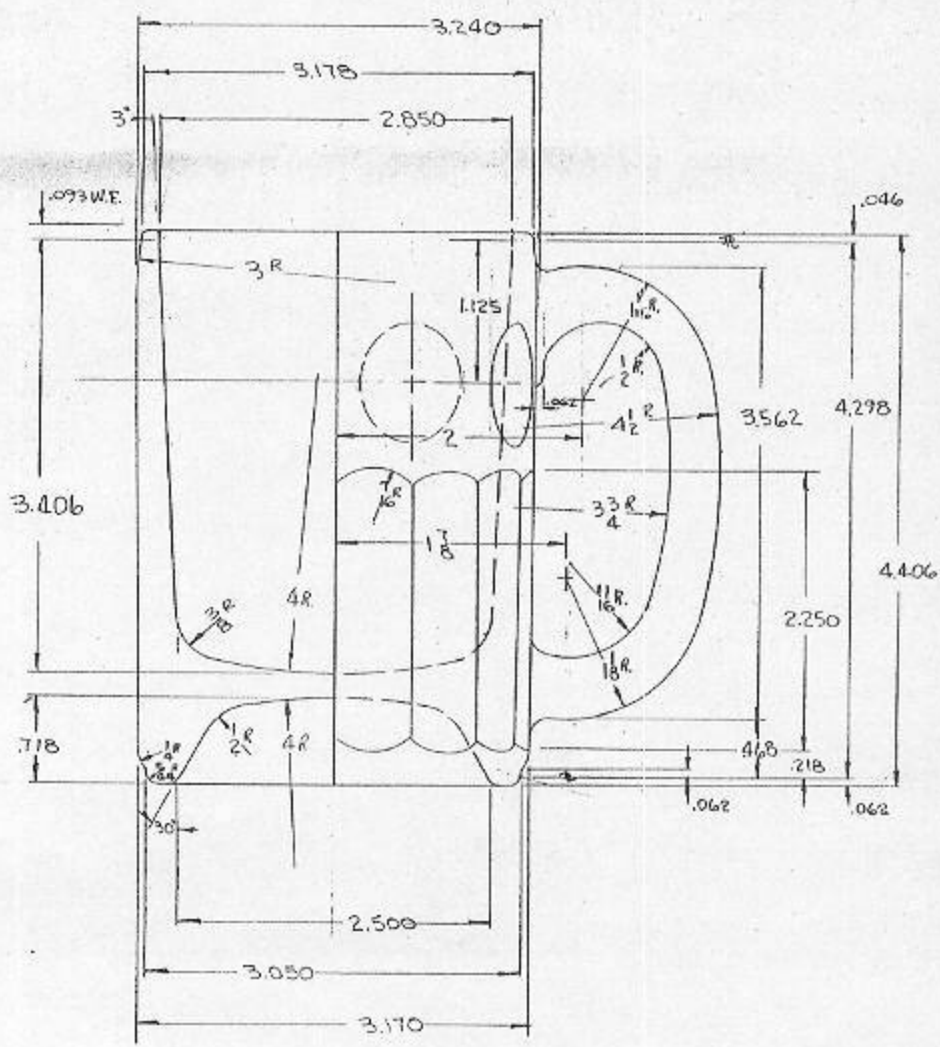
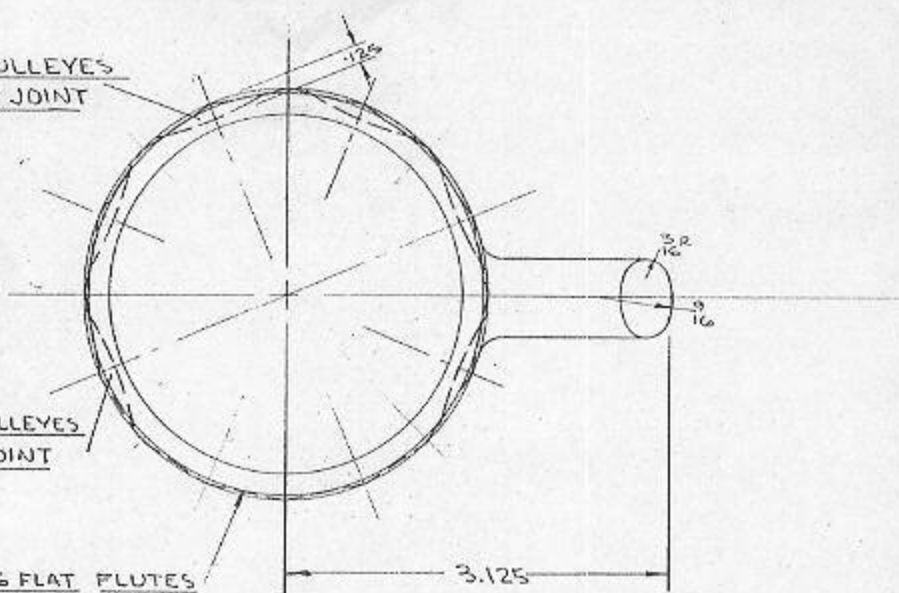


4 1" DIA BULLEYES
RIGHT JOINT

2 1" DIA BULLEYES
LEFT JOINT

16 FLAT FLUTES



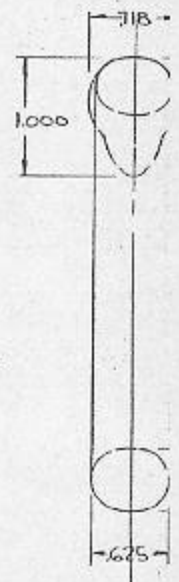
ENGINEERING
DEPARTMENT

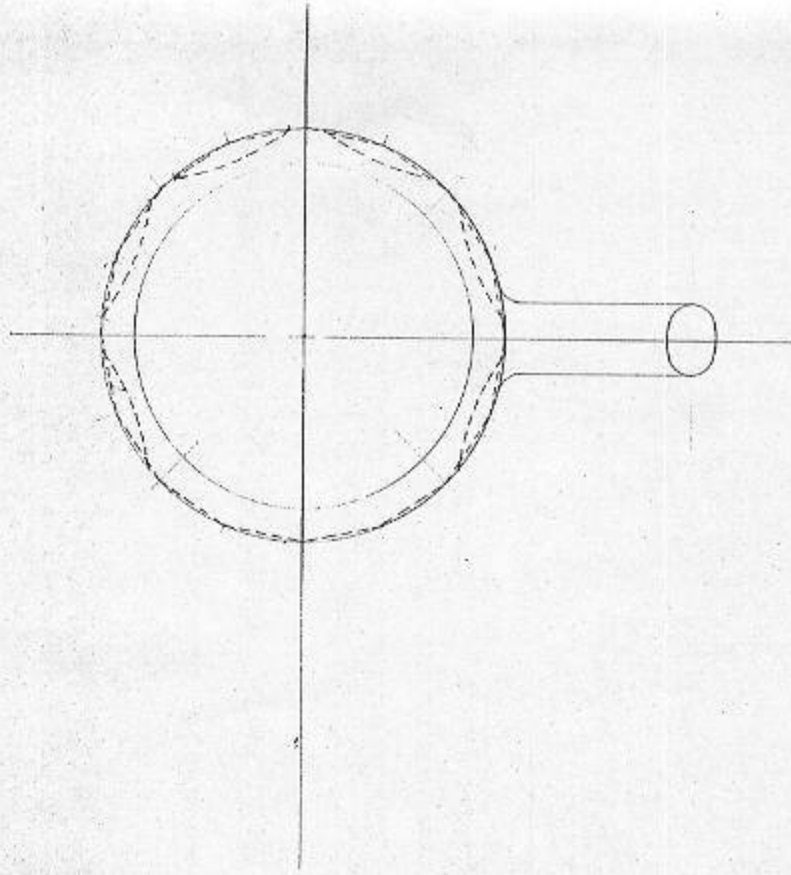
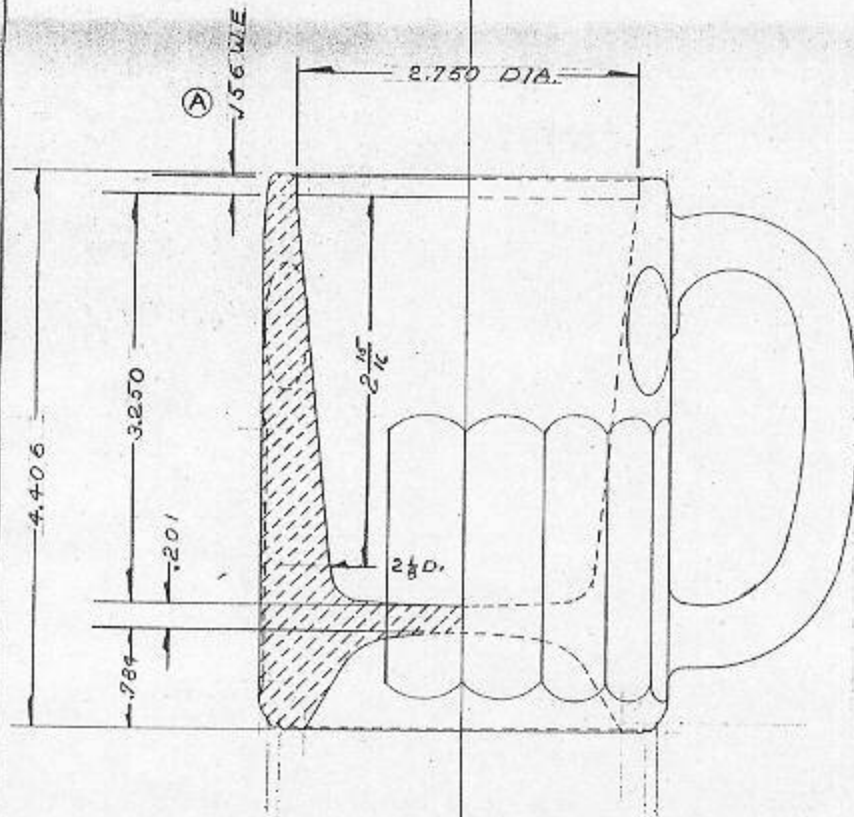
INDIANA GLASS CO.

Title G51 100Z. BEER MUG

Drawn by [Signature] Approved

Drawing No. 11111





A WAS 097 3/17/28 AKA

INDIANA GLASS CO.

ENGINEERING DEPARTMENT

Title 550 6 oz. BEER MUG

Drawn By *AB*

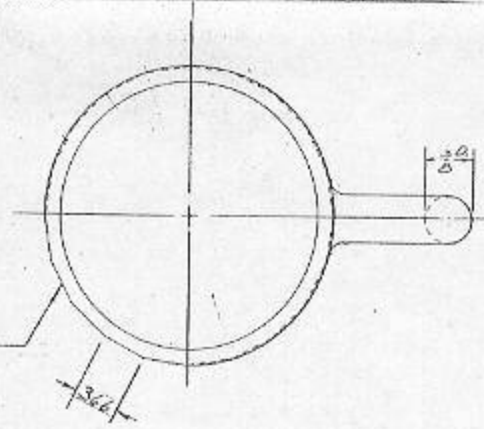
Approved

Drawing No.

Date

Scale

20 Flat Flutes All Equal



APPROVED
 FOR PRODUCTION
 PRODUCT DEVELOPMENT
 INDIANA GLASS CO.

ENGINEERING
 DEPARTMENT

INDIANA GLASS CO.

Title 659 Fox Bizz Mfg
 Part 111267
 Drawn By B
 Approved F.C.B.
 Date 11-2-67
 Drawing No. B-1317-2-1

